

Hydraulic Spreaders

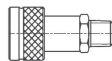
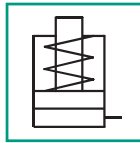
UD Series

Capacity:
1 & 20 tonnes

Tip Clearance:
8 - 14 mm

Maximum Spread Range:
18 - 80 mm

Maximum Operating Pressure:
700 bar (10,000 psi)



K73F Female 3/8" NPT
Coupler Included.



FEATURES

'UD' Series **Hydraulic Spreader** is ideal for lifting and levelling of machinery, splitting flanges and for reforming bodywork.

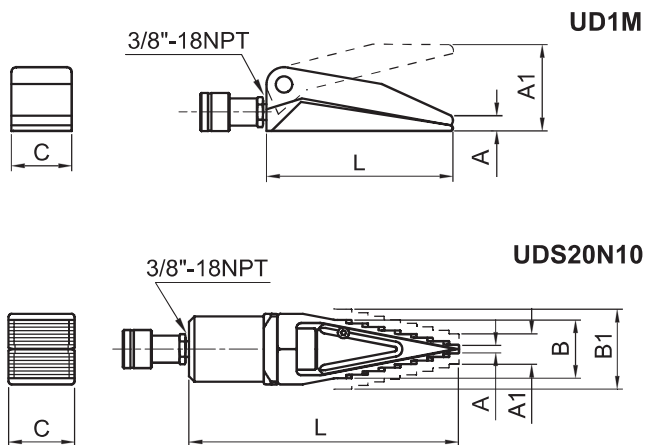
Spreaders are single-acting spring return and retract automatically when pressure is released.

The tool can be ordered in various versions:-

- **UD1M:** 1 tonne capacity Spreader only.
- **UDS20N10:** 20 tonne capacity Spreader only.
- **UD1MC:** 1 tonne capacity Spreader Set comprises of UD1M + PS100 hand pump + SN10M 1m hose.
- **UDS20C:** 20 tonne capacity Spreader Set comprises of UDS20N10 + PN131 hand pump + SN10M 1m hose.

Application:-

- Suitable for use in confined work areas, spread concrete forms or rebar or perform straightening jobs.



Follow Safety Instruction

SELECTION CHART

Force	MODEL	Oil Volume	Dimensions (mm)						Weight
			Tonnes	cm ³	A	A1	B	B1	
1	UD1M	4	14	80	-	-	170	52	3,5
20 (Actual: 17)	UDS20N10	41	8	18	54	64	246	60	3,7