

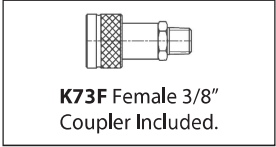
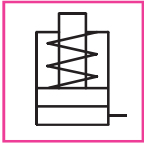
Single-Acting, Spring Return, Aluminium Cylinders

CML Series

Capacity:
50 - 100 tonnes

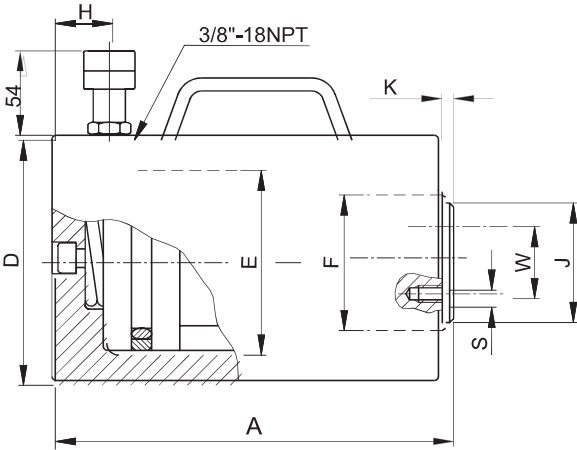
Stroke:
50 - 150 mm

Maximum Operating Pressure:
700 bar (10,000 psi)

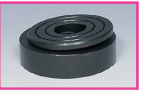


- Aluminium alloy cylinders offer lightweight solution for many lifting & lowering applications.
- Complete with protective treatment to increase corrosion resistance.
- Wiper seal prevents dirt penetration & extends cylinder working life.
- Interchangeable grooved saddle protects the piston rod from risk of deformation.
- Piston rod has two lateral threaded holes to mount tilt saddle.
- Removable carrying handle for all models.
- Ideal for use in applications where lightness & ease of handling are preferred.

Optional 6mm thick steel base plate can be added upon request. Add suffix 'S' at end of model no. (Example: CML100N150S)
Note: Closed Height will be increased by 6mm.



COL Series: Double-acting and Telescopic Aluminum Cylinders available upon request.



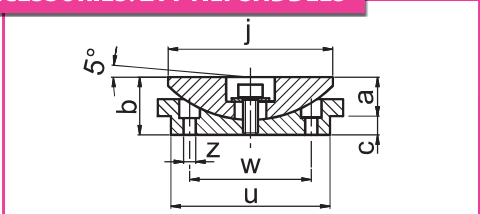
ZTT Tilt Saddle (Optional) – to reduce the effects of any off-centred loads. Refer Details Below

SELECTION CHART

Force (PUSH) Tonnes (kN)	Stroke mm	Effective Area cm ²	Oil Volume cm ³	MODEL	Closed Height	Outside Dia.	Bore Dia.	Piston Rod Dia.	Coupler Height	Saddle Dia.	Rod Protrusion	PCD Mounting Holes for Tilt Saddle	Mounting Holes for Tilt Saddle	Weight
					A mm	D mm	E mm	F mm	H mm	J mm	K mm	W mm	S mm	kg
50 (496)	50	70,86	354	CML50N50	158	130	95	80	25	65	4	45	2xM5	7,0
	100	70,86	709	CML50N100	208									8,6
	150	70,86	1063	CML50N150	258									10,3
100 (929)	100	132,71	1327	CML100N100	246	178	130	100	25	85	4	65	2xM6	18,8
	150	132,71	1991	CML100N150	296									21,4

Nominal value shown in 'Tonnes', see kN for the exact force @700bar.

ACCESSORIES: ZTT TILT SADDLES



MODEL	For use with	a	b	c	j	u	z	w	kg
ZTT51	CML50N ###	18	26	8	68	65	5,5	45	0,8
ZTT101	CML100N ###	22	32	10	88	85	6,5	65	1,6