

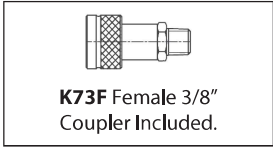
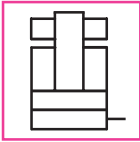
# Single-Acting, Load Return, Lock Nut, Low Profile Cylinders

## CGR Series

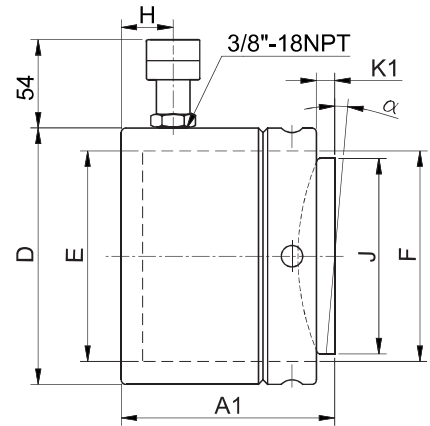
Capacity:  
**110 - 900 tonnes**

Stroke:  
**50 mm**

Maximum Operating Pressure:  
**700 bar (10,000 psi)**



- Compact **Pancake Style Lock Nut Cylinders** for use where working space is limited.
- Concentric machined grooves on piston rod end improve load grip.
- Nitride anti-corrosive treatment provides excellent corrosion & wear resistance in harsh environments.
- Equipped with overflow port to prevent any over-stroke.
- Piston rod has a coloured zone which becomes visible 10mm before the end of the piston stroke.
- Lifting eyelets equipped on all models.
- Ideal for use in construction industries, such as maintenance of bridges, viaducts, building sites and industrial maintenance where working space is limited.



**Recommendation:**

If support resistance is not compatible with the pressure shown in the chart, place pressure plates on top of the saddle and under the base to distribute the load. Non-compliance with this notice could result in cylinder damage &/or the load will be lifted.

**Safety Lock Nut** provides positive mechanical load holding supporting lifted load for extended long period with hydraulic pressure released.



Integrated Tilt Saddle (Standard supplied) – to reduce the effects of any off-centred loads.

**SELECTION CHART**

Force (PUSH) Tonnes (kN)	Stroke mm	Effective Area cm <sup>2</sup>	Oil Volume cm <sup>3</sup>	Cylinder Bottom Pressure MPa	Saddle Pressure MPa	MODEL	Closed Height with Integrated Tilt Saddle	Outside Dia.	Bore Dia.	Piston Rod Dia.	Coupler Height	Tilt Saddle Dia.	Rod Protrusion with Integrated Tilt Saddle	Tilt Saddle Angle	Weight
							A1 mm	D mm	E mm	F mm	H mm	J mm	K1 mm	α	kg
110 (1078)	50	154	770	46	113	<b>CGR110N50</b>	137	178	140	Tr 140x10	19	118	8	5°	26
160 (1589)		227	1135	45	102	<b>CGR160N50</b>	148	218	170	Tr 170x10	19	148	9	5°	42
200 (1985)		283,57	1418	45	87	<b>CGR200N50</b>	154	242	190	Tr 190x10	20	176	10	5°	54
250 (2424)		346,29	1732	45	84	<b>CGR250N50</b>	159	268	210	Tr 210x10	22	196	11	5°	68
400 (4008)		572,57	2863	44	89	<b>CGR400N50</b>	178	347	270	Tr 270x10	27	248	11	4°	128
500 (4948)		706,86	3534	44	81	<b>CGR500N50</b>	192	385	300	Tr 300x10	30	285	10	3°	171
700 (6735)		962,14	4811	44	85	<b>CGR700N50</b>	200	445	350	Tr 350x10	30	325	10	3°	238
900 (8796)		1256,57	6283	47	83	<b>CGR900N50</b>	216	495	400	Tr 400x10	30	375	12	3°	315

Nominal value shown in 'Tonnes', see kN for the exact force @700bar.